



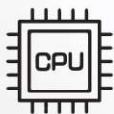
New Cross Field Rugged Tablet



# ATC 63E



13.3" Tablet PC with  
Intel 11<sup>th</sup> Gen. Tiger Lake Platform



CPU Intel 11<sup>th</sup> Gen. Tiger Lake



500 million pixel high resolution front camera



Windows 11 Compatible



IEC 60601 Certificated



13.3" FHD display with Corning® Gorilla® Glass 3 with multi-touch PCAP control



IP 65 dust and water protection



BT 5.2 for seamless communications



MIL STD 810G 1.2 ft drop compliant

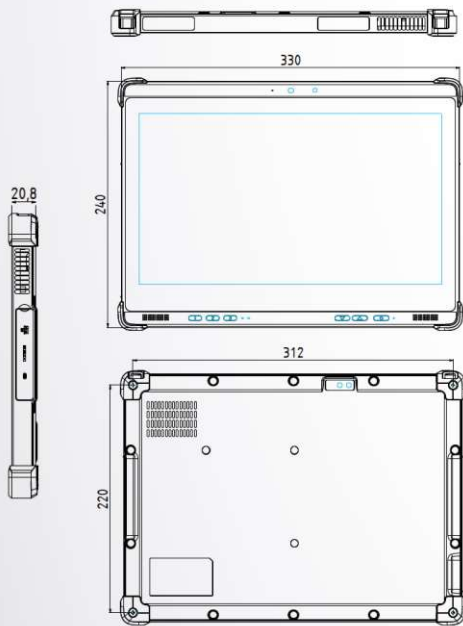


WiFi 6 support

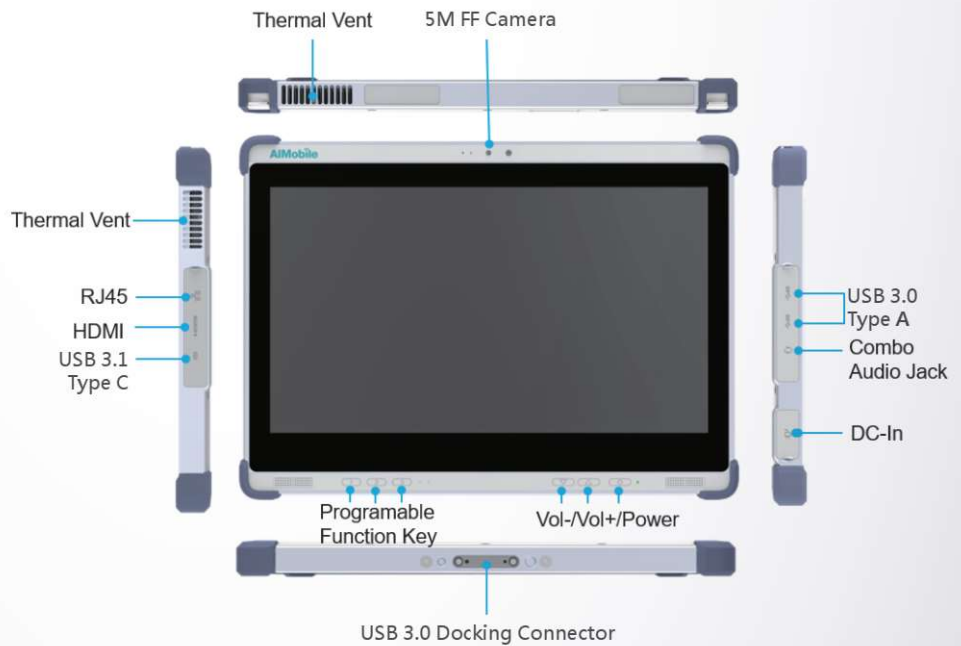


MP Date: 2022/Q2

## Dimension



## System I/O



## Specifications | ATC-63E SPEC

<b>CPU</b>	Intel Tiger Lake UP3 Processors , Core i5 I5-1145G7E		
<b>OS</b>	Window 10 IoT Enterprise LTSC (Windows 11 Compatible)		
<b>Memory</b>	8GB DDR4	<b>Storage</b>	256GB SSD
<b>WLAN/</b>	Intel AX210 , WIFI 6 , MIMO (Fast Roaming support)		
<b>Bluetooth</b>	Bluetooth® v5.2		
<b>Display</b>	13.3 inches , 1920x 1080 FHD , 400nits , IPS		
<b>Touch</b>	Pcap-touch , 10-finger , Direct bonded Corning Gorilla® Glass 3		
<b>I/O</b>	2 x Internal speaker (2W) , 1 x digital Mic. 1 x USB 3.1 Type-C support DP Alt Mode/Data 2 x USB 3.0 Type-A , 1 x HDM , 1 x RJ 45 (1000mbps) 1 x AIM dock 16-pin pogo connector (USB3.0). 1 x DC In , 1 x Combo Audio Jack		
<b>Input Voltage</b>	19V 4.74A		
<b>Camera</b>	5-MP Front camera with fixed focus 8-MP Rear camera with auto focus and LED flash		
<b>Battery</b>	10.8V / 4660mAh / 50.32Wh		
<b>Adaptor</b>	Medical Grade 90W Adapter		
<b>Buttons/LED</b>	1 x Power Button , 2 x Volume Key(+/-) 3 x Programmable function Key , 3 x Charging / Wifi / HD LED indicator		
<b>Sensor</b>	Ambient light sensor(ALS) , G-sensor , Gyroscope		
<b>Dimension</b>	330 x 240 x 20.8 mm	<b>Weight</b>	1.8 Kg
<b>Drop Tested</b>	4ft / 120cm	<b>IP Rating</b>	IP65
<b>Temperature</b>	Operating: 0 ~ 40 °C (32°F~104°F) , Storage: -20 ~ 60 °C (-4°F~140°F)		
<b>Security</b>	vPro / TPM2.0 / TXT / TME supported		
<b>Certification</b>	CE / FCC / CB / IEC60601 / BSMI / NCC / Energy Star 8.0		